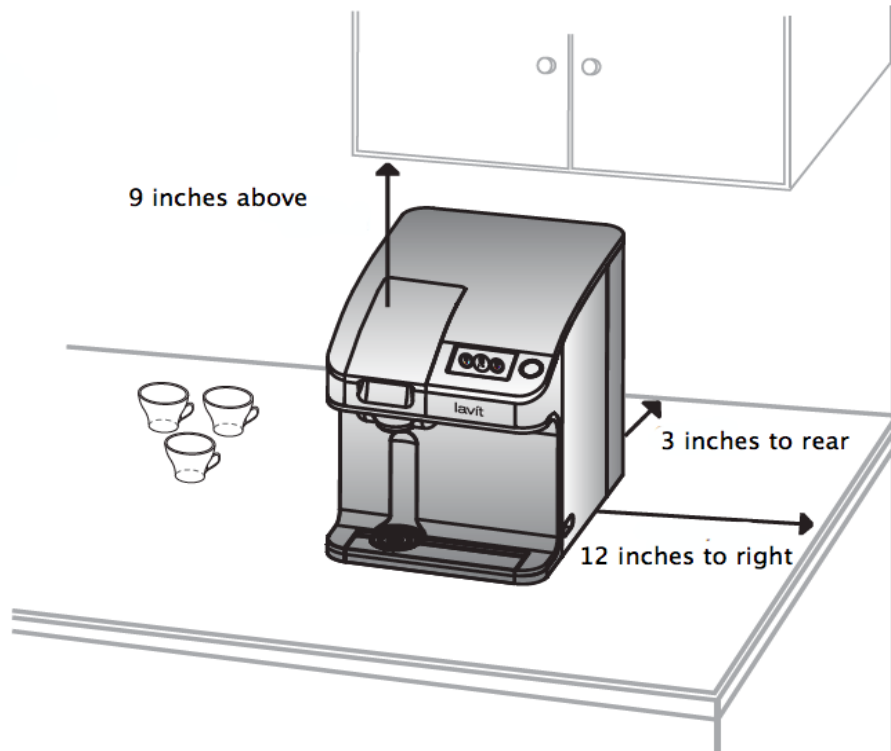


Locating the Lavit Dispenser



1. Place the dispenser on a firm flat surface, adjacent to the power supply and water supply.
2. Ensure there is an air gap (3 inches) in the rear of the unit.
3. Ensure there is clearance (12 inches) on the right side to open the side door to access the side compartment.
4. Ensure there is enough space above the mix chamber (9 inches) to properly open and close the chamber.
5. Do not install the dispenser in direct sunlight or adjacent to a heat source.



Dispensers should not be installed using a power extension cord. It is advised that all power sockets have been polarity checked and have a suitable earth connection (GFI).